



Changer (0302) - Assembly and Operation Manual

Congratulations on purchasing a MDB Family product. This product will provide many years of service if you adhere to the following guidelines for assembly, maintenance and operation. This product is for residential use only. Any institutional use is strictly prohibited.

Please be sure to follow the instructions for proper assembly. Use a Phillips head screwdriver for the assembling the product. Do not use power screwdrivers. All of our products are made from natural woods. Please understand that natural woods have color variations which are the result of nature and are not defects in workmanship.

DO NOT SUBSTITUTE PARTS. ALL MODELS HAVE THE SAME QUANTITY OF PARTS AND HARDWARE.
YOUR MODEL MAY LOOK DIFFERENT FROM THE ONE ILLUSTRATED DUE TO STYLISTIC VARIATIONS.



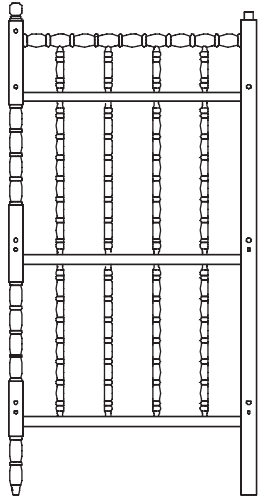
WARNING!

READ ALL INSTRUCTIONS BEFORE USE OF THE CHANGING TABLE, ADD-ON CHANGING UNIT, OR CONTOURED CHANGING PAD.

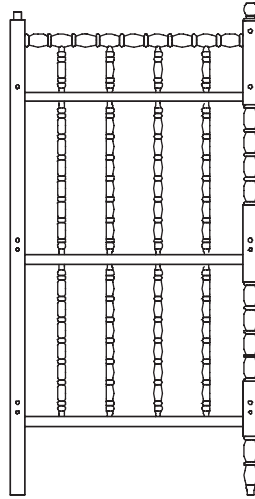
Unpacked and separated all parts, bolts and screws. All holes for attachment, including the ones for an optional drawer, have been pre-drilled. No drilling by the customer is necessary. Ask your store or call us for replacement of missing part.

Do not substitute parts. All models have the same quantity of parts and hardware. Your model may look different from the one illustrated due to stylistic variations. We continue to improve our product and may make minor changes to the design. These changes may not be reflected in the instructions.

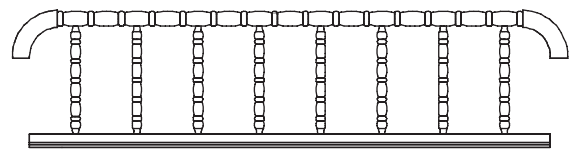
PARTS



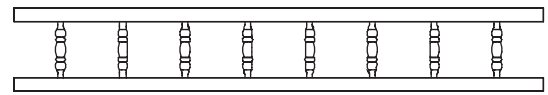
A. Left panel



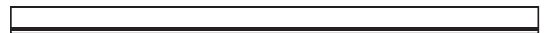
B. Right panel



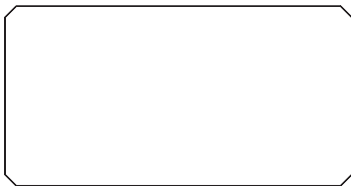
C. Top back rail



D. Top front rail



E. Shelf rails (4)



F. Shelf boards (3)



G. Safety strap

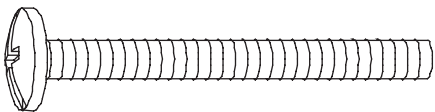


H. Metal cross brace (3)



J. Changing pad

HARDWARE



K. 2" Phillips head bolts & washers (8)



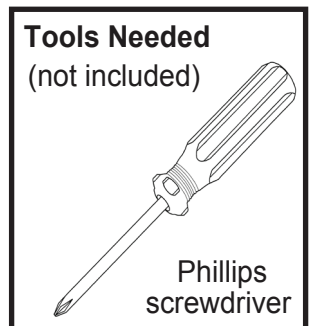
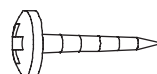
L. Barrel nut (8)



M. 1 1/2" Phillips head bolts & washers (6)

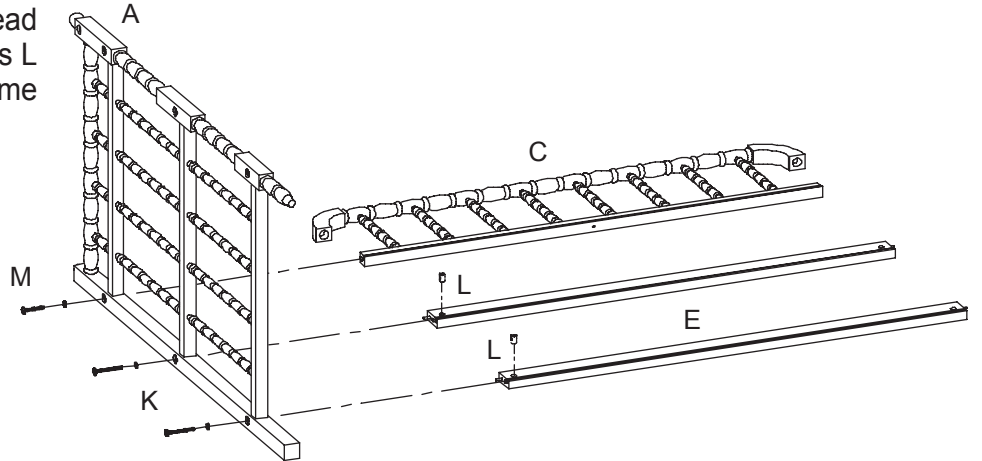
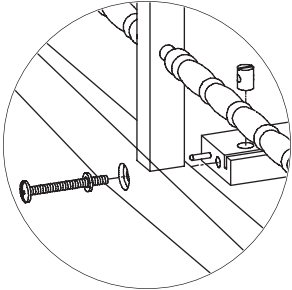


N. 5/8" Wood screws (6)



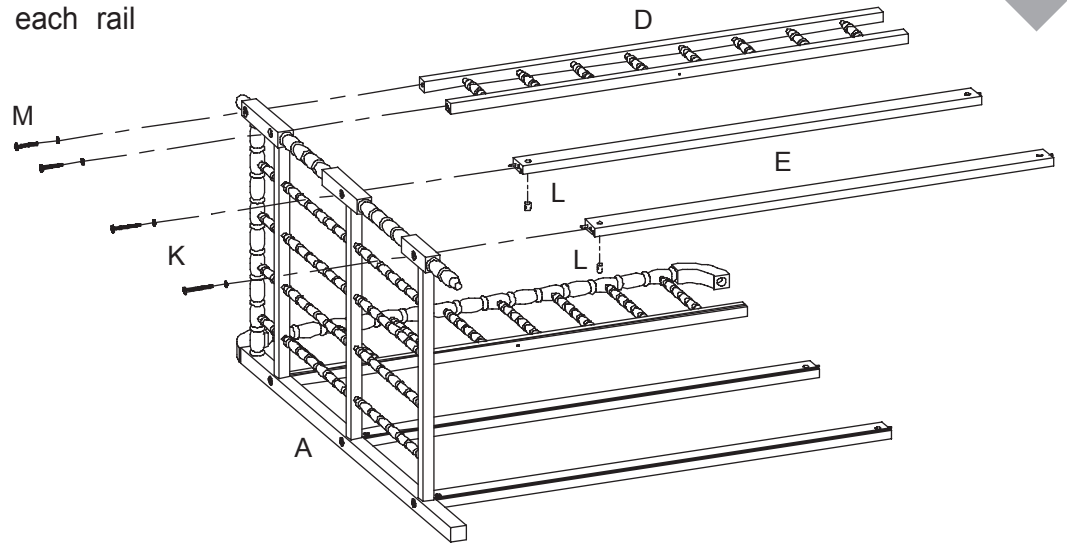
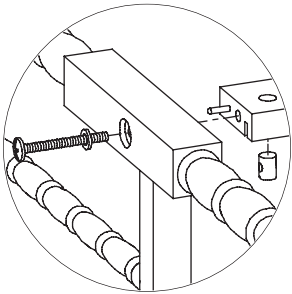
Step 1

Use the Phillips head bolts and washers M to connect the top back rail C to the left panel A. Use the Phillips head bolts and washers K and barrel nuts L to connect the shelf rails E to the same panel.



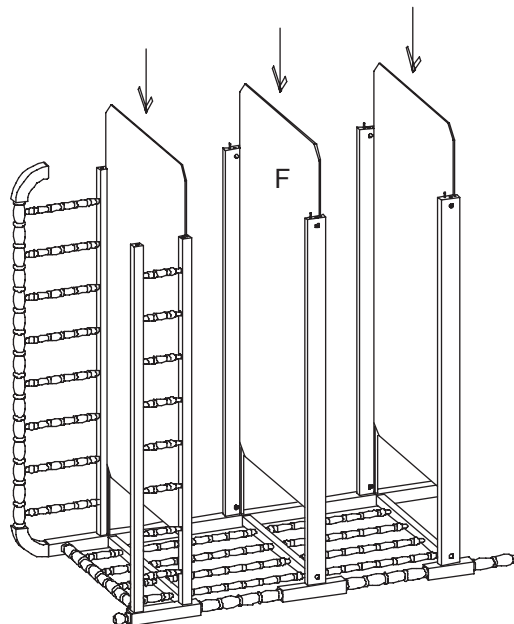
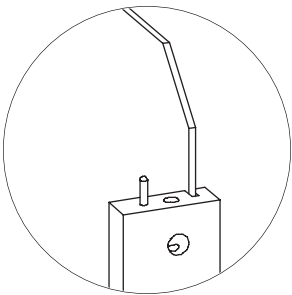
Step 2

Make sure the groove at each rail faces the inside of the unit.

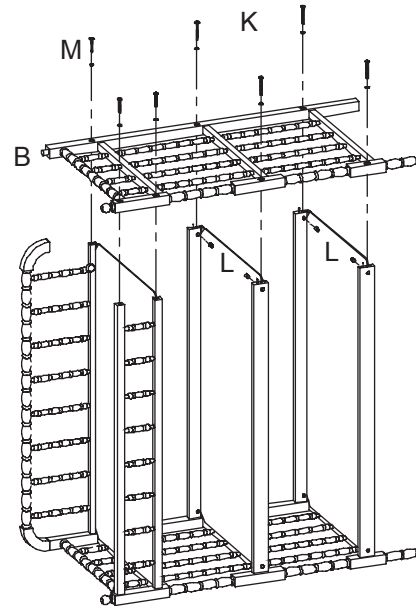
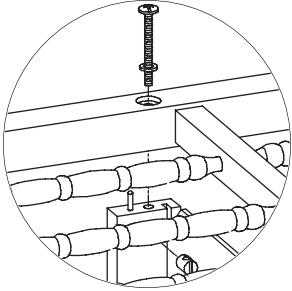


Step 3

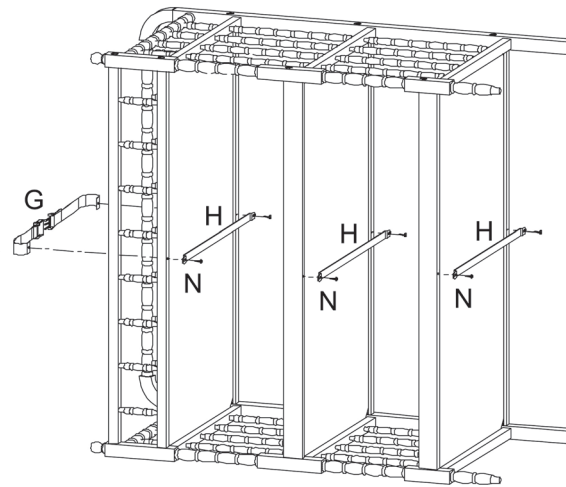
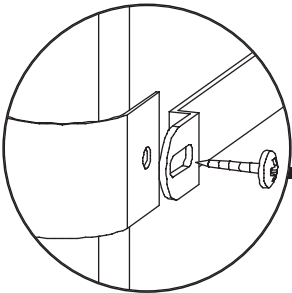
Turn the unit on its side as shown.



Step 4

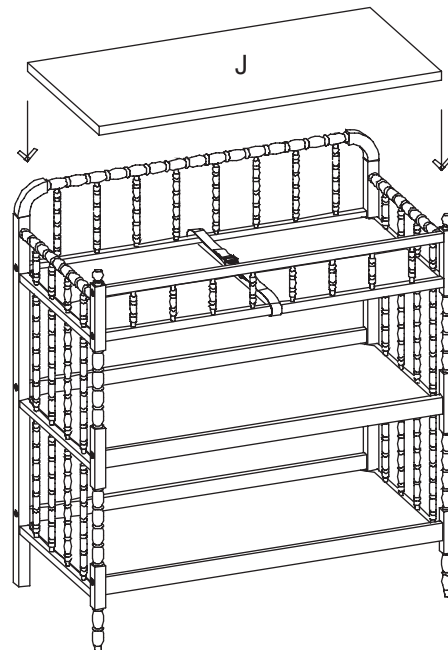
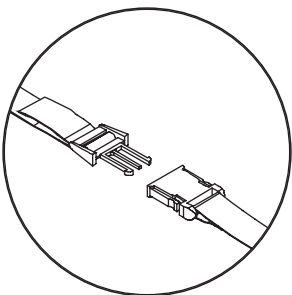


Step 5



Step 6

Adjust the safety strap and test the locking mechanism. Slide the male connector into the female connector until they lock together. Press the side tabs on the male connector to release. Make sure the safety strap goes over the pad. Recheck all connections.





WARNING! FALL HAZARD

TO PREVENT DEATH OR SERIOUS INJURY, ALWAYS KEEP CHILD WITHIN ARM'S REACH.

READ ALL INSTRUCTIONS BEFORE ASSEMBLING THIS PRODUCT. KEEP THE MANUAL FOR FUTURE USE.



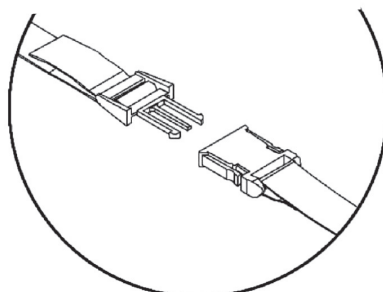
WARNING:

- Read all instructions before use of the changing table.
- Do not use changing table if it is damaged or broken.
- This product is not intended to be used as a changing table without adult supervision. Use of the product without this may result in death or serious injury to your child from falling. Follow all instructions on attaching and using the changing table.
- Only use the pad provided by MDB FAMILY.
- The maximum weight of the child for which the changing table is intended is 30 lbs.
- Stop using this changing table when the child is able to sit up or roll over.
- As with all infant and baby furniture, it is important to check fasteners, screws, and bolts periodically for tightness. Parents should ensure a safe environment for their child by checking the furniture regularly before placing the child in the product.
- When using this product, always secure the child with the safety strip.



WARNING! FALL HAZARD

To prevent death or serious injury, always keep child within arm's reach. Never leave child unattended and always use restraining system.



ONE YEAR LIMITED WARRANTY:

We will replace any missing parts at the time of purchase or any defective item within a one year period from the date of original purchase. Please keep your receipt so that we may process your warranty request. This warranty only covers new units with original packaging and ownership, and is not transferable. It does not cover any used, secondhand or demo models.

This warranty does not cover any damaged or defective parts that result from installation and assembly, normal wear and tear, abuse, negligence, improper use or alteration to the finish, design, and hardware of the crib. The specific legal rights of this warranty may vary from state to state.

Some states do not allow any exclusion or limitation of incidental damages. Some States do not allow limitation on how long an implied warranty lasts.

Maintenance and Cleaning:

Do not scratch or chip the finish. Do not use abrasive chemicals for cleaning. Clean with mild soap on a soft rag. Rinse and dry thoroughly. If you ever refinish this furniture, be sure to use only a non-toxic finish specified for children's products. If you choose to refinish this furniture, the warranty will be voided.

Storage:

Pine woods exchange moisture with the air adjusting to major changes in room temperature and humidity. Therefore it is best to place your furniture away from heating or air-conditioning vents. Sunlight is not friendly to solid wood furniture and prolonged direct exposure to harsh sunlight can discolor the finish. Be careful not to place your furniture in direct sunlight for extended periods of time. As with all your fine furniture, blot up spills immediately.

Registering your product is even easier than before. You can register your product on our website at : www.themdbfamily.com

IF YOU WOULD LIKE TO ORDER REPLACEMENT OR MISSING PARTS PLEASE VISIT US AT:

WWW.THEMDBFAMILY.COM

OR YOU CAN CONTACT US BY MAIL:

MDB FAMILY

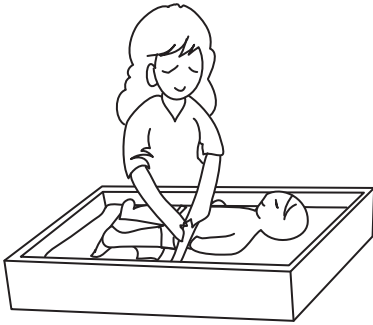
855 WASHINGTON BLVD.

MONTEBELLO, CA 90640

Restraint System

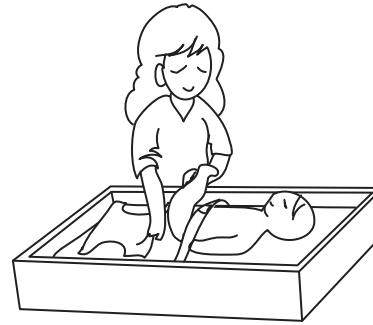
WARNING:

During the diaper changing process, be sure always to keep one hand on the baby to prevent the baby from falling off the changing pad. Falling from the changing pad could cause severe injury or even death to the baby.



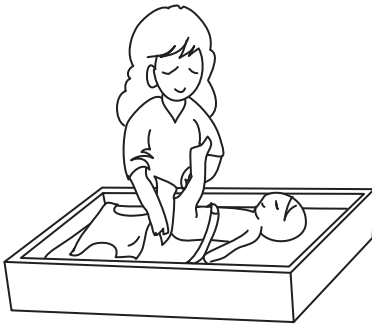
Step 1.

Place a baby on the pad with his/her bottom on the top of the diaper. Safely secure the baby on the pad with the safety straps and buckle on the pad. This helps prevent the baby from falling off the pad, which can result in severe injury or even death of the baby.



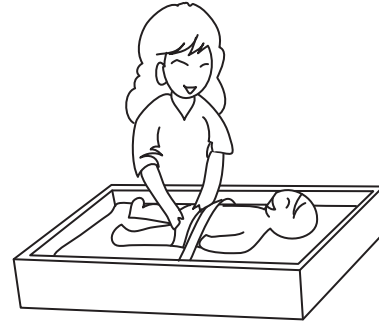
Step 2.

Remove the dirty diaper from the baby.



Step 3.

Push the baby's legs forward and create a cavity under the baby's bottom. Clean the baby.



Step 4.

Reattach the new diaper to a clean and happy baby!